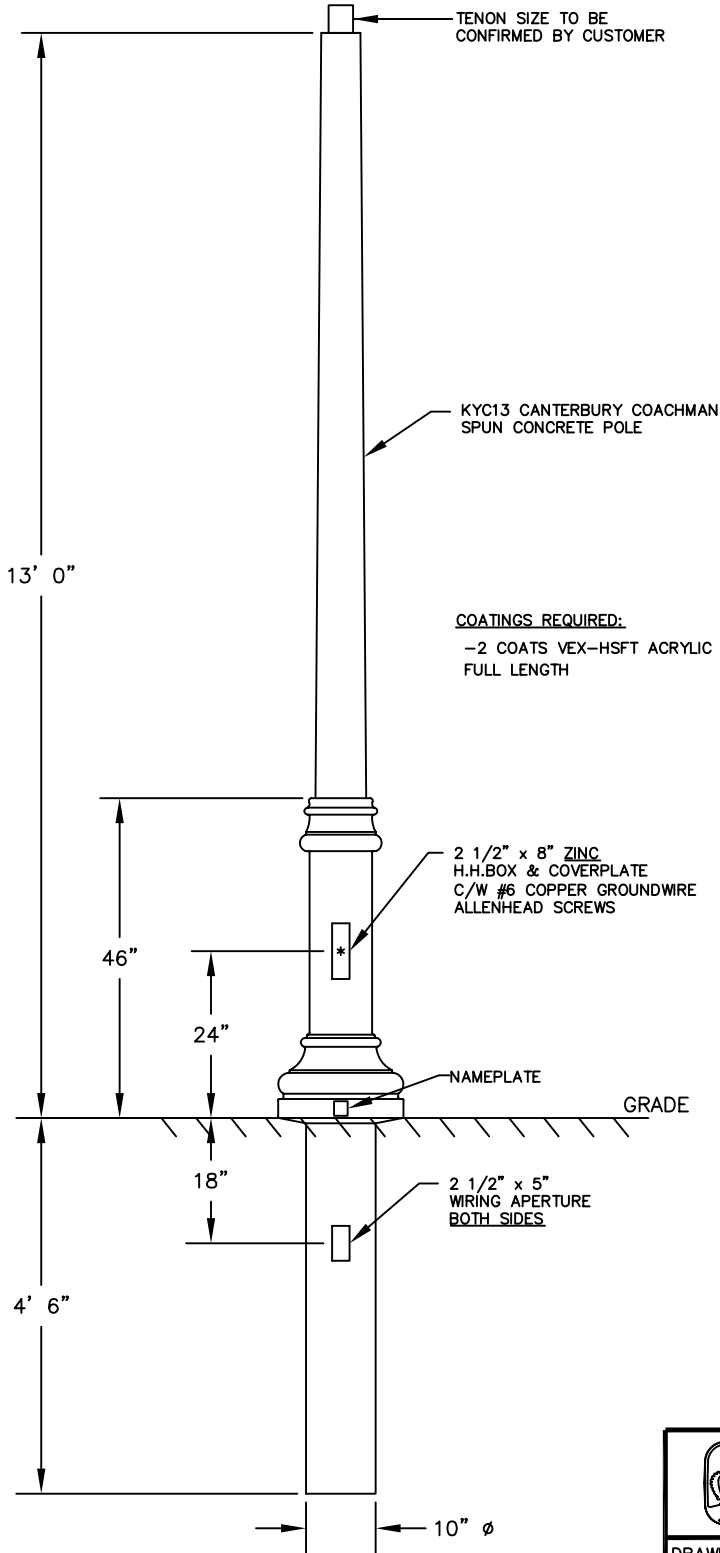
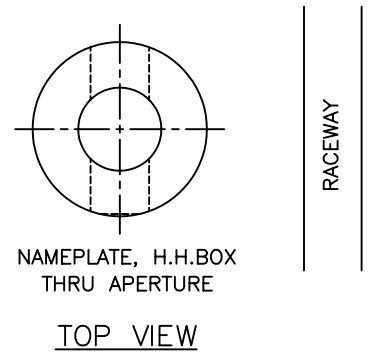



REV.	ALTERATION	E.C.N.	DATE	BY



POLE SPECIFICATIONS
 CATALOGUE NO.: KYC13-G-E11
 C/W 140-35/40
 QUANTITY:
 SECTION: ROUND
 COLOR: ECLIPSE
 FINISH: ETCHED
 POLE TOP: ϕ 5 5/8"
 POLE BUTT: ϕ 10"
 POLE LENGTH: 17' 6"
 APPROX WEIGHT: 1,040 lbs.



 KING LUMINAIRE COMPANY INC.				
840 WALKER'S LINE, P.O. BOX 7, BURLINGTON, ONTARIO, CANADA L7R 3X9		P.O. BOX 266 JEFFERSON, OHIO 1153 STATE ROUTE 46N U.S.A. 44047		
DRAWING NAME: CONCEPT DWG.	DWG NUMBER 206A4403-1	DATE: 9/24/07	DWG BY: M.L.	REV.
PROJECT/CUSTOMER: LCEC				CHK.BY