

NOTES:

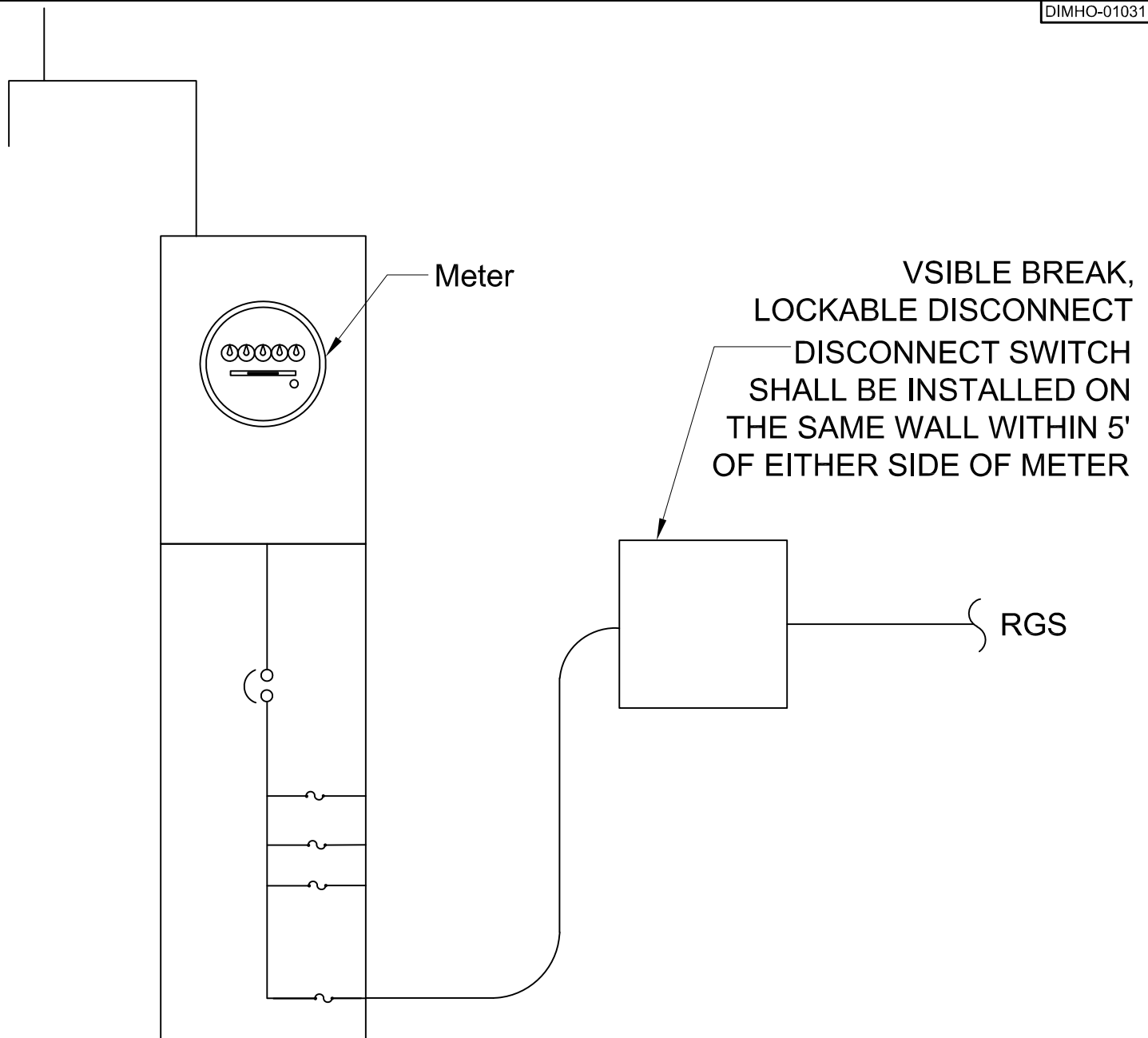
1. FACILITIES PROVIDED BY MEMBER TO BE INSTALLED IN ACCORDANCE WITH THE N.E.C. AND THE A.H.J.
2. DISCONNECT SWITCH TO BE A UL LISTED DISCONNECT SWITCH OF THE VISIBLE LOAD-BREAK TYPE RATED FOR THE MEMBER'S RENEWABLE GENERATION SOURCE AND CAPABLE OF BEING LOCKED IN THE OPEN POSITION. THE DISCONNECT SWITCH MUST BE POSITIONED ELECTRICALLY AS THE FIRST DEVICE DOWNSTREAM OF THE BREAKER FOR THE GENERATION SOURCE.
3. AN EXISTING MEMBER-OWNED DISCONNECT SWITCH FEEDING THE MEMBER'S MAIN PANEL MAY BE USED IN LIEU OF ITEM 2 ABOVE IF IT ISOLATES THE METER FROM THE CUSTOMER'S LOAD.
4. THE DISCONNECT SWITCH MUST BE GROUNDED IN ACCORDANCE WITH THE N.E.C. AND THE A.H.J.
5. ADEQUATE GROUNDING OF FACILITIES MUST BE PROVIDED IN ACCORDANCE WITH THE N.E.C. AND A.H.J.
6. LCEC REQUIRES A VISIBLE GROUND CONNECTION WITHIN THE METER SOCKET.

5 REVISED NOTES



RESIDENTIAL/COMMERCIAL SERVICES
RENEWABLE GENERATION
GREATER THAN 10 kW TO 100 kW

FIGURE 29



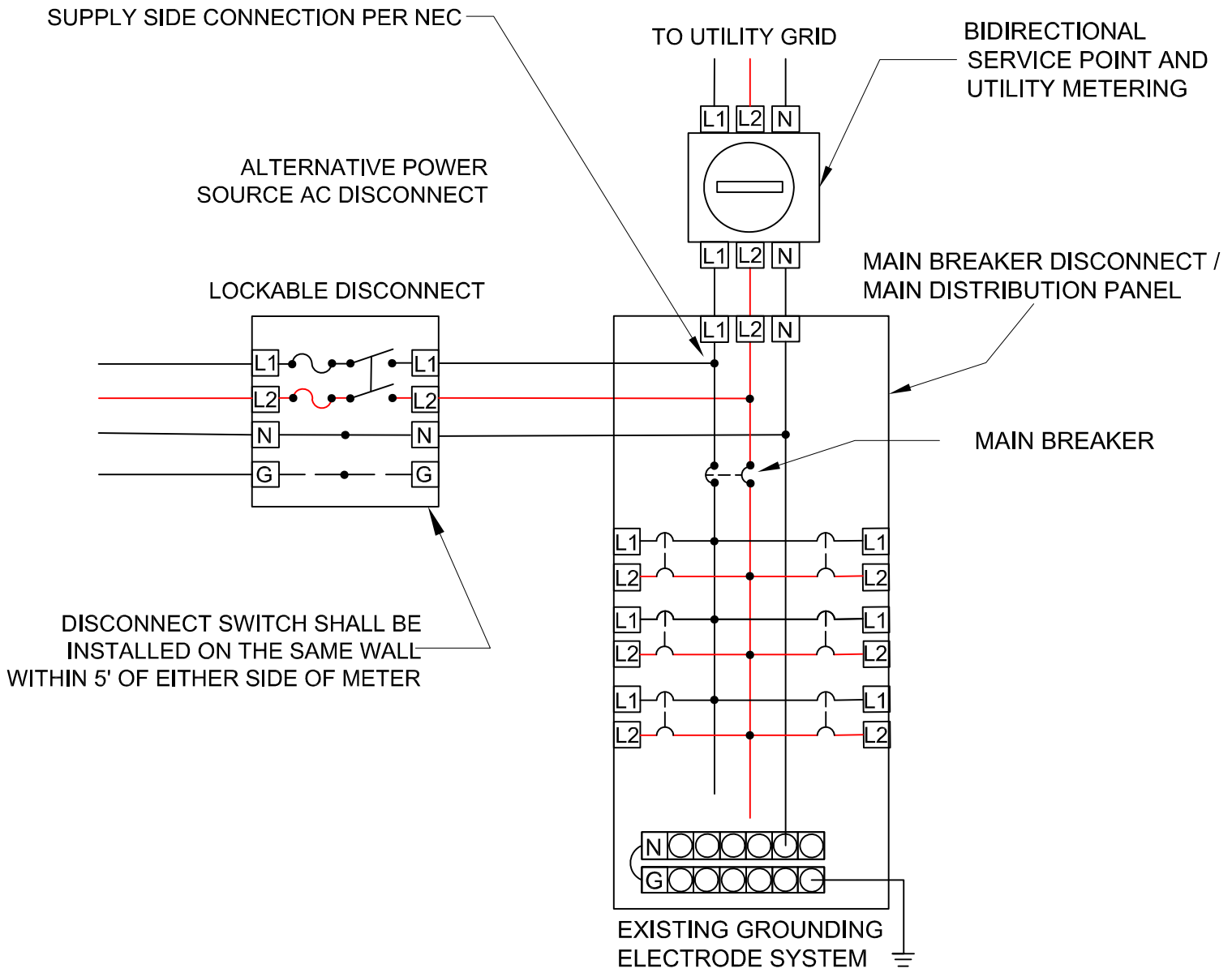
NOTES:

1. FACILITIES PROVIDED BY MEMBER TO BE INSTALLED IN ACCORDANCE WITH THE N.E.C. AND THE A.H.J.
2. DISCONNECT SWITCH TO BE A UL LISTED DISCONNECT SWITCH OF THE VISIBLE LOAD-BREAK TYPE RATED FOR THE MEMBER'S RENEWABLE GENERATION SOURCE AND CAPABLE OF BEING LOCKED IN THE OPEN POSITION. THE DISCONNECT SWITCH MUST BE POSITIONED ELECTRICALLY AS THE FIRST DEVICE DOWNSTREAM OF THE BREAKER FOR THE GENERATION SOURCE.
3. THE DISCONNECT SWITCH MUST BE GROUNDED IN ACCORDANCE WITH THE N.E.C. AND THE A.H.J.
4. ADEQUATE GROUNDING OF FACILITIES MUST BE PROVIDED IN ACCORDANCE WITH THE N.E.C. AND A.H.J.
5. LCEC REQUIRES A VISIBLE GROUND CONNECTION WITHIN THE METER SOCKET.



PV INTERCONNECTION
BACKFEEDING CIRCUIT BREAKER

FIGURE 29A



DISCONNECT SWITCH SHALL BE INSTALLED ON THE SAME WALL WITHIN 5' OF EITHER SIDE OF METER

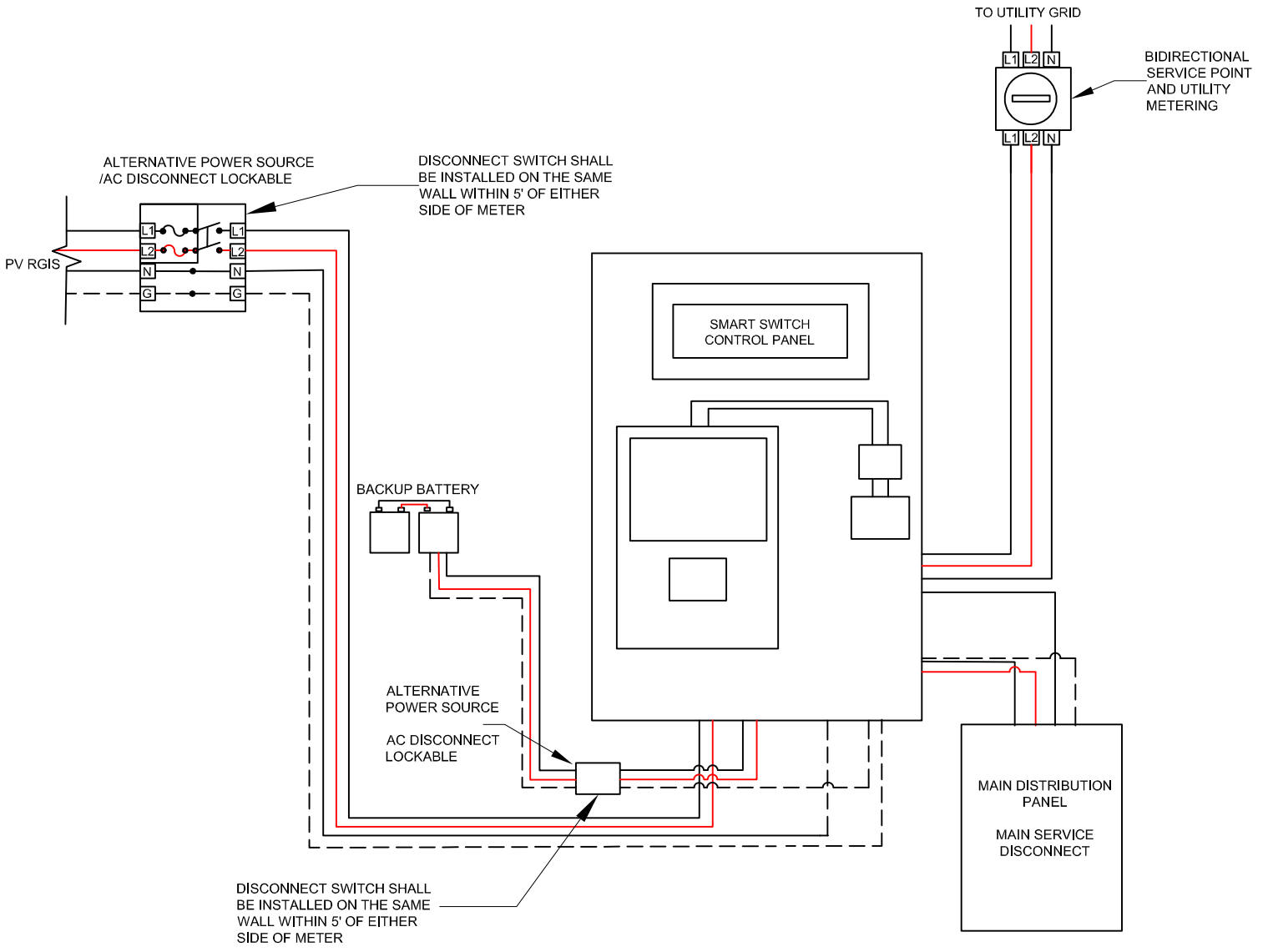
NOTES:

1. FACILITIES PROVIDED BY MEMBER TO BE INSTALLED IN ACCORDANCE WITH THE N.E.C. AND THE A.H.J.
2. DISCONNECT SWITCH TO BE A UL LISTED DISCONNECT SWITCH OF THE VISIBLE LOAD-BREAK TYPE RATED FOR THE MEMBER'S RENEWABLE GENERATION SOURCE AND CAPABLE OF BEING LOCKED IN THE OPEN POSITION. THE DISCONNECT SWITCH MUST BE POSITIONED ELECTRICALLY AS THE FIRST DEVICE DOWNSTREAM OF THE BREAKER FOR THE GENERATION SOURCE.
3. THE DISCONNECT SWITCH MUST BE GROUNDED IN ACCORDANCE WITH THE N.E.C. AND THE A.H.J.
4. ADEQUATE GROUNDING OF FACILITIES MUST BE PROVIDED IN ACCORDANCE WITH THE N.E.C. AND A.H.J.
5. LCEC REQUIRES A VISIBLE GROUND CONNECTION WITHIN THE METER SOCKET.



PV INTERCONNECTION
LINE SIDE TAP
MAIN PANEL

FIGURE 29B



NOTES:

1. FACILITIES PROVIDED BY MEMBER TO BE INSTALLED IN ACCORDANCE WITH THE N.E.C. AND THE A.H.J.
2. DISCONNECT SWITCH TO BE A UL LISTED DISCONNECT SWITCH OF THE VISIBLE LOAD-BREAK TYPE RATED FOR THE MEMBER'S RENEWABLE GENERATION SOURCE AND CAPABLE OF BEING LOCKED IN THE OPEN POSITION. THE DISCONNECT SWITCH MUST BE POSITIONED ELECTRICALLY AS THE FIRST DEVICE DOWNSTREAM OF THE BREAKER FOR THE GENERATION SOURCE.
3. THE DISCONNECT SWITCH MUST BE GROUNDED IN ACCORDANCE WITH THE N.E.C. AND THE A.H.J.
4. ADEQUATE GROUNDING OF FACILITIES MUST BE PROVIDED IN ACCORDANCE WITH THE N.E.C. AND A.H.J.
5. LCEC REQUIRES A VISIBLE GROUND CONNECTION WITHIN THE METER SOCKET.



PV INTERCONNECTION
 INTERACTIVE SMART
 CONTROL PANEL

FIGURE 29C

